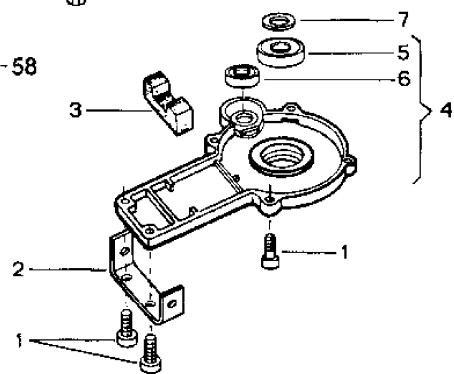
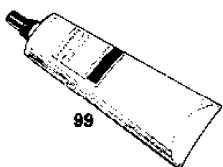
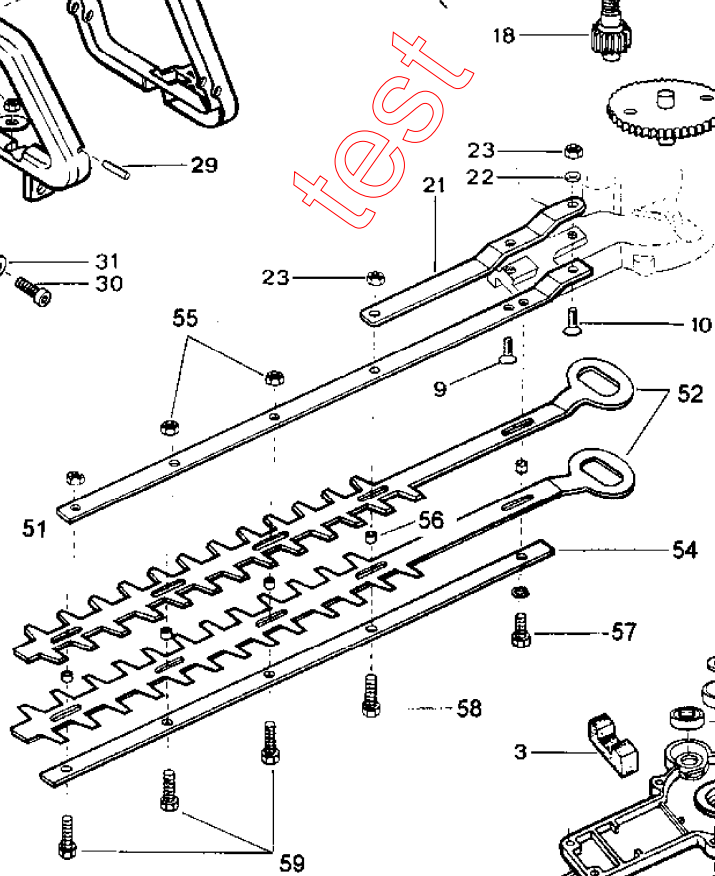


test



STIGA
658
SPARE PARTS

Section: SH 45 HEDGE CUTTER CHASSIS

Pos.	Quantity	Spare part No	Description	Kit	Notes	New
	5631					
1	6	M229077	Screw			
2	1	M229910	Clamp			
3	1	M229970	Felt			
4	1	M225629	Cover-gear box			
5	1	M228958	.Ball bearing			
6	1	M235914	.Ball bearing			
7	2	M235164	Washer			
9	1	M228924	Screw			
10	1	M229972	Screw			
11	1	M229919	Gear			
12	1	M225631	Gear box			
13	1	M235897	.Ball bearing			
14	1	M228958	.Ball bearing			
15	1	M228861	Grease nipple			
16	1	M215533	Grommet			
17	4	M235801	Screw			
18	1	M229914	Pinion			
19	1	M237283	Clutch drum			
21	1	M229911	Support			
22	1	M236529	Split washer			
23	2	M229208	Nut			
24	1	M225627	Handle			
25	1	M227251	.Screw			
26	1	M229761	.Front handle			
27	1	M229762	.Lever			
28	1	M229760	Guard-front handle			
29	2	M229772	.Pin			
30	2	M235214	Screw			
31	2	M236936	Washer			
32	2	M235912	Nut			
33	1	M235107	Washer			
34	1	M229208	Nut			
35	1	M225628	Handle			
36	1	M229888	.Handle			
37	1	M229891	.Trigger throttle			
38	1	M229892	.Safety trigger			
39	1	M229893	.Throttle rod			
40	2	M229920	.Pin			
41	3	M235105	.A.v. mount			
42	3	M235106	A.v. bush			
43	3	M235803	Screw			
44	3	M235107	Washer			
45	1	M229976	Cable			
46	1	M229977	Stop cable			
47	1	M228277	Switch			
51	1	M229912	Support-upper			
52	2	M227727	Blade			
54	1	M229756	Support-lower			
55	2	M229208	Nut			
56	4	M227769	Bush			
57	1	M229563	Screw			
58	1	M229959	Screw			
59	2	M229561	Screw			
99	1	9501-0038-00	Grease		AGIP GR MU EP-2	